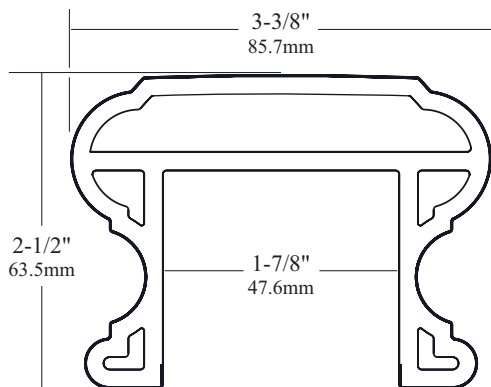


Top Rail Profile



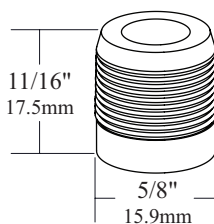
32" Balusters (36" Rail Height)

"A" - 36-1/8" 917.6mm  
 "B" - 31-1/2" 800.1mm

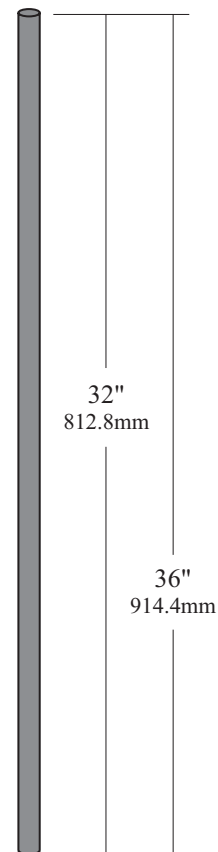
36" Balusters (42" Rail Height)

"A" - 40-1/8" 1019.2mm  
 "B" - 35-1/2" 901.7mm

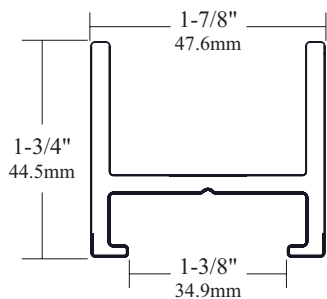
Aluminum Baluster Connector



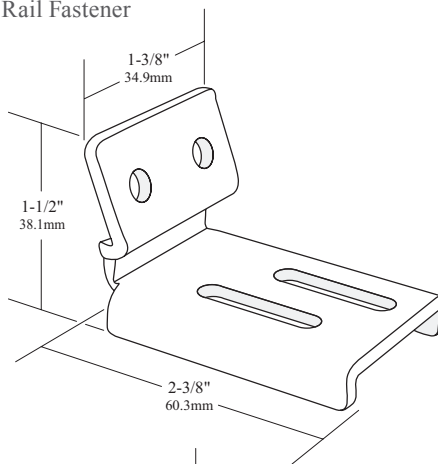
3/4" Aluminum Baluster



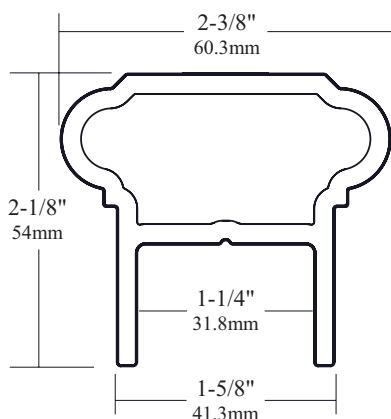
Baluster Retainer



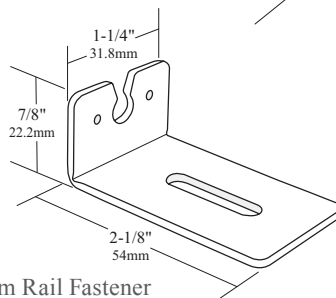
Top Rail Fastener



Bottom Rail Profile



Bottom Rail Fastener



Dimensions and tolerances contained on drawings and figures are for reference only and may not encompass total allowable and approved dimensional variations.

DOCUMENT TITLE: Aluminum Baluster Composite Railing Kit

*This drawing is the property of Green Bay Decking. Any hard copy of this drawing may not be current. This document and/or images contained within may not be reproduced in publication format without express written consent of Green Bay Decking. Drawings may not be to scale.*

**INTEGRA RAIL**

UOM inch/mm	REF#	REV v1.0
SCALE	SHEET# 1 of 1	DRAWN BY AJH
		DATE 1/21/10