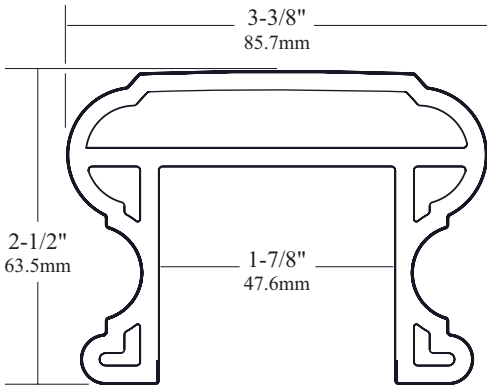


Top Rail Profile



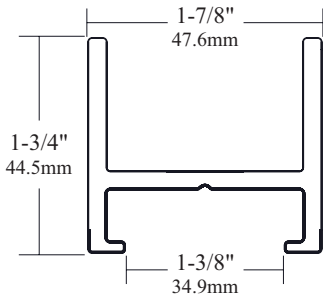
32" Balusters (36" Rail Height)

"A" - 36-7/8" 936.6mm
 "B" - 32-1/4" 819.2mm

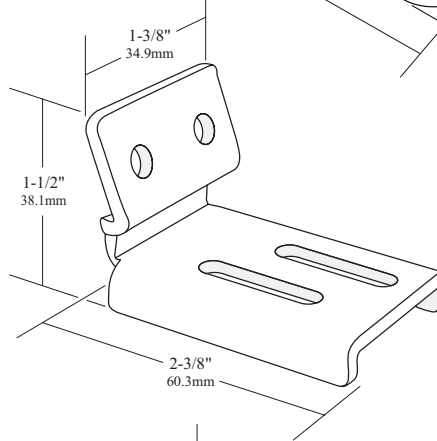
36" Balusters (42" Rail Height)

"A" - 42-7/8" 1089mm
 "B" - 37-1/2" 952.5mm

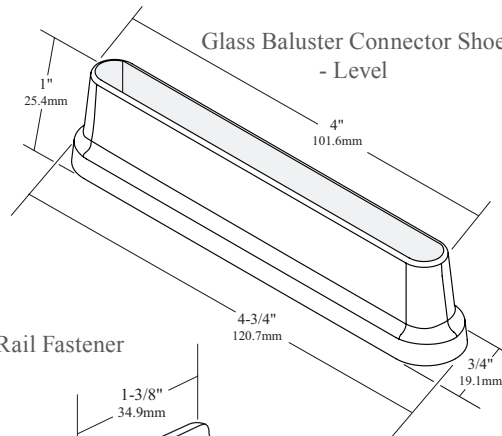
Baluster Retainer



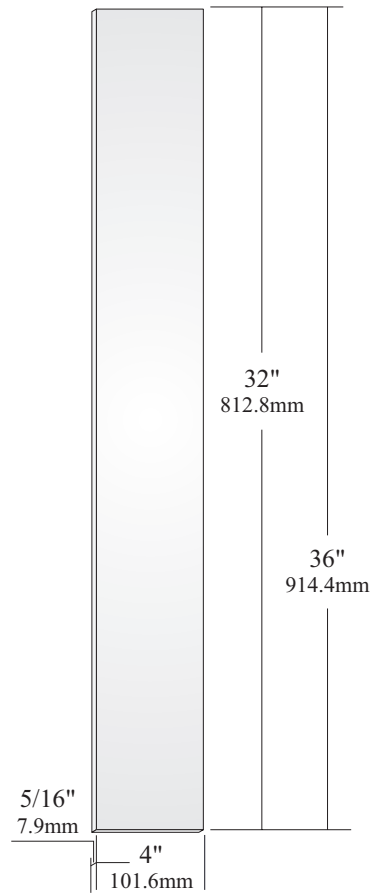
Top Rail Fastener



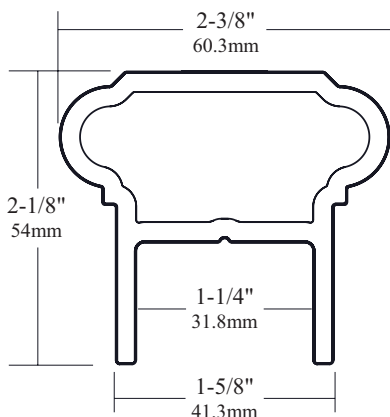
Glass Baluster Connector Shoe - Level



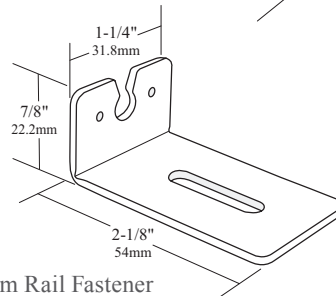
Glass Baluster



Bottom Rail Profile



Bottom Rail Fastener



Dimensions and tolerances contained on drawings and figures are for reference only and may not encompass total allowable and approved dimensional variations.

DOCUMENT TITLE:		Glass Baluster Composite Railing Kit		
<i>This drawing is the property of Green Bay Decking. Any hard copy of this drawing may not be current. This document and/or images contained within may not be reproduced in publication format without express written consent of Green Bay Decking. Drawings may not be to scale.</i>				
UOM inch/mm	REF#	REV	v1.0	
SCALE	SHEET#	DRAWN BY	DATE	
	1 of 1	AJH	1/21/10	